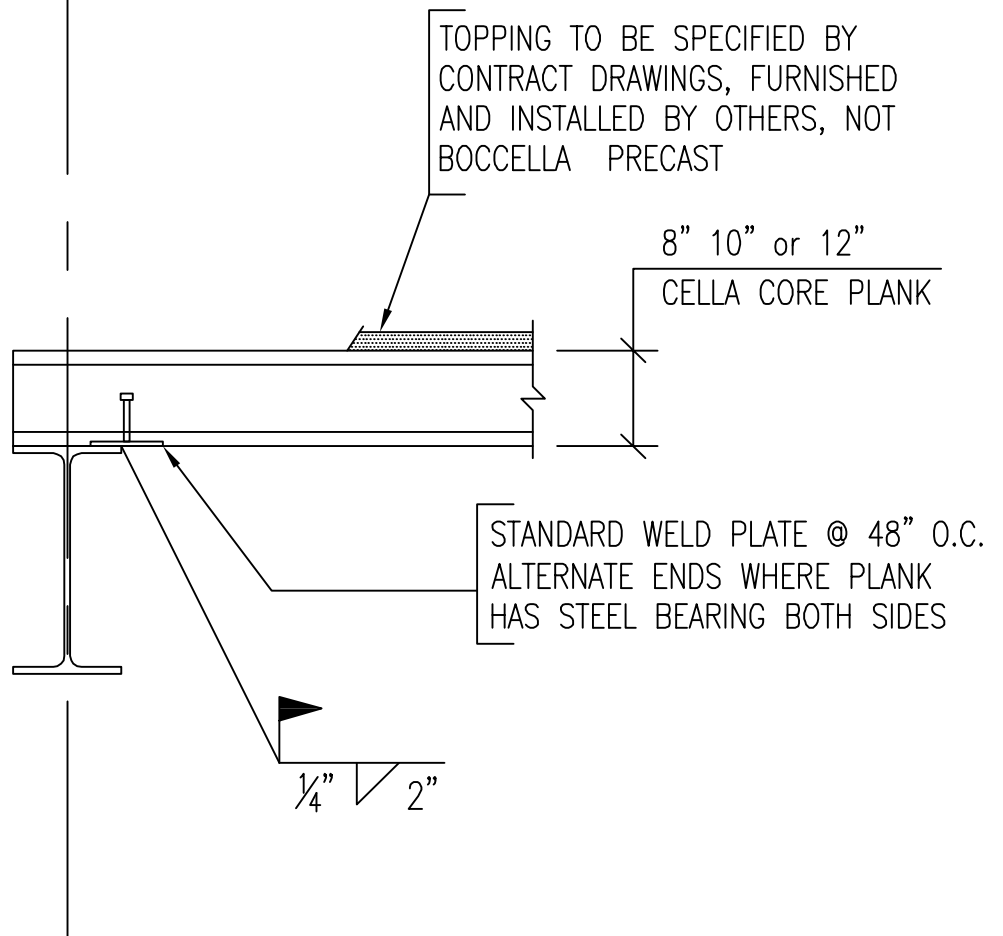


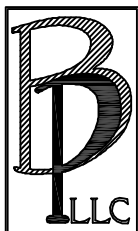
GRID



NOTES:

IT IS STANDARD INDUSTRY PRACTICE TO ONLY WELD ONE END OF A PIECE OF HOLLOWCORE PLANK. WELDING BOTH ENDS OF A PLANK WILL RESULT IN VOLUME CHANGE RESTRAINT FORCES THAT MUST BE CONSIDERED IN THE DESIGN OF THE CONNECTION. IF WELD PLATES MUST BE USED, BOCCELLA PRECAST RECOMMENDS WELDING ALTERNATE ENDS OF THE PLANK, OTHERWISE THE ENGINEER OF RECORD IS TO PROVIDE ALL FORCES FOR CONNECTION DESIGN.

June 2009



Boccella Precast, LLC

324 New Brooklyn Road
Berlin, New Jersey 08009

Phone: (856) 767-3861 Fax: (856) 767-7228
www.boccellaprecast.com

STANDARD DESIGN CATALOG

DRAWING DESCRIPTION:

**TYPICAL END BEARING STEEL BEAM
INTERIOR / EXTERIOR**

SCALE:

3/4" = 1'-0"

CATALOG:

PAGE 10