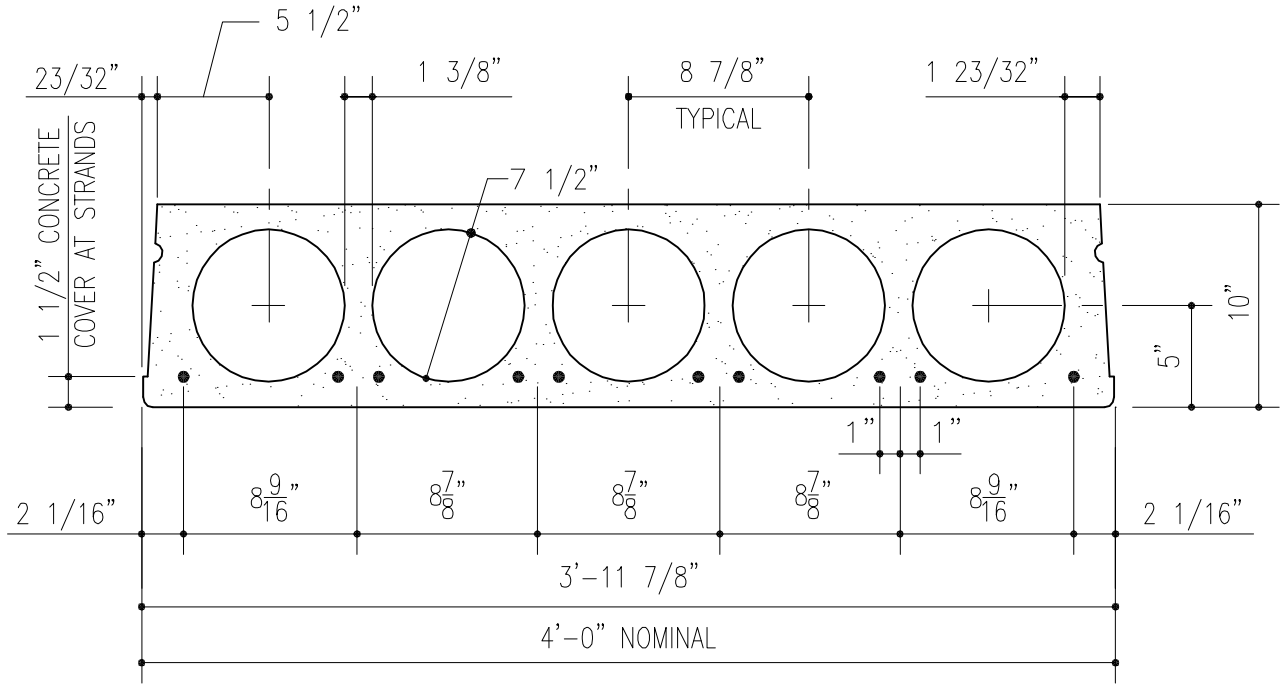




10" CELLA-CORE TECHNICAL DATA SHEET



LOAD TABLE OF ALLOWABLE SUPERIMPOSED LOADS IN LBS. PER SQ.FT.

STANDARD WEIGHT 8" CELLA-CORE PLANK

| STRAND | STRAND AREA sq. in. | MU K-ft | CLEAR SPAN IN FEET | | | | | | | | | | | | | | | | | | | | | | | | | | | | | | | |
|----------------|---------------------|---------|--------------------|-----|-----|-----|-----|-----|-----|-----|-----|-----|-----|-----|-----|-----|-----|-----|-----|-----|-----|-----|----|----|----|----|----|----|----|----|----|----|--|--|
| | | | 21 | 22 | 23 | 24 | 25 | 26 | 27 | 28 | 29 | 30 | 31 | 32 | 33 | 34 | 35 | 36 | 37 | 38 | 39 | 40 | 41 | 42 | 43 | 44 | 45 | 46 | 47 | 48 | 49 | 50 | | |
| 4-1/2" ϕ | 0.612 | 93 | 194 | 172 | 153 | 136 | 121 | 108 | 96 | 86 | 76 | 68 | 60 | 53 | 46 | 41 | | | | | | | | | | | | | | | | | | |
| 6-1/2" ϕ | 0.918 | 136 | 239 | 219 | 203 | 182 | 175 | 167 | 165 | 150 | 136 | 124 | 112 | 102 | 93 | 84 | 77 | 69 | 63 | 57 | 51 | 46 | 41 | | | | | | | | | | | |
| 8-1/2" ϕ | 1.224 | 175 | 256 | 238 | 219 | 199 | 182 | 175 | 171 | 165 | 161 | 155 | 146 | 147 | 135 | 124 | 114 | 105 | 96 | 89 | 81 | 75 | 68 | 63 | 57 | 52 | 48 | 43 | | | | | | |
| 10-1/2" ϕ | 1.530 | 212 | 265 | 247 | 228 | 210 | 192 | 183 | 175 | 170 | 165 | 160 | 158 | 153 | 147 | 137 | 126 | 118 | 112 | 111 | 108 | 102 | 94 | 87 | 81 | 75 | 69 | 64 | 59 | 54 | 50 | 46 | | |

Values below lower heavy line indicate web shear controls.

Values above upper heavy line indicate long-time camber less than zero with no superimposed loads.

MATERIAL PROPERTIES

| | | | |
|--------------------------------|-------------------------|---|---------------------------------------|
| Net Area..... | 247.99 in ² | Strength of Concrete (f 'c)..... | 6000 psi |
| Moment of Inertia..... | 3262.40 in ⁴ | Strength at Release (f 'ci)..... | 3500 psi |
| Centroid from Slab Bottom..... | 5.00 in | Unit weight of Concrete..... | 150 pcf |
| Section Modulus, Top..... | 652.46 in ³ | Ultimate Steel Strength..... | 270 ksi |
| Section Modulus, Bottom..... | 652.46 in ³ | Strand Jacking Stress..... | 202.5 ksi |
| Web Width..... | 9.25 in | Strand Type..... | Low Relaxation |
| V/S Ratio..... | 2.28 in | Grout Joint Requirements..... | 1399 ft ² /yd ³ |
| Self Weight *..... | 68.9 psf | * Self weights based on grouted section | |

These tables are for general descriptive purposes only. Actual Cella-Core designs are dependant on local codes and standards, material properties and product end usage.