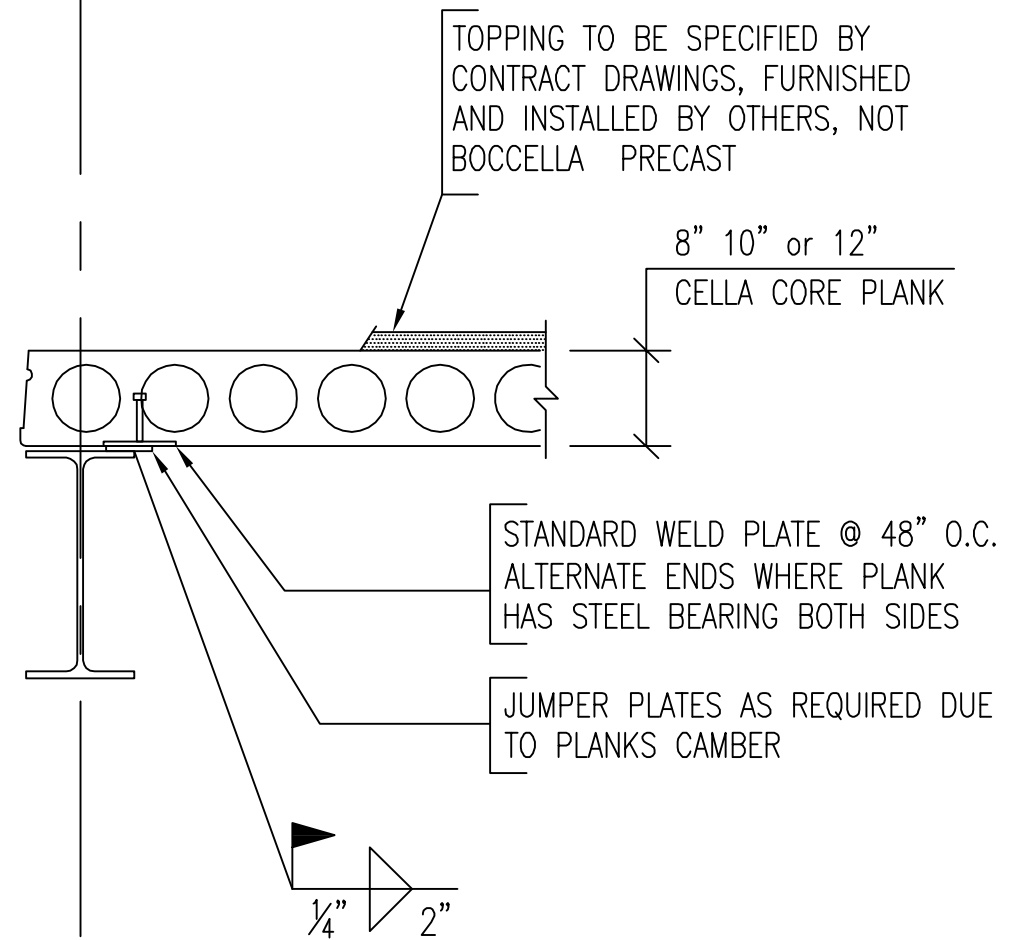
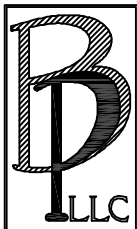


GRID



NOTES:

June 2009



Boccella Precast, LLC

324 New Brooklyn Road
Berlin, New Jersey 08009

Phone: (856) 767-3861 Fax: (856) 767-7228
www.boccellaprecast.com

STANDARD DESIGN CATALOG

DRAWING DESCRIPTION:

**TYPICAL SIDE LAP STEEL BEAM
INTERIOR / EXTERIOR**

SCALE:

3/4" = 1'-0"

CATALOG:

PAGE 11