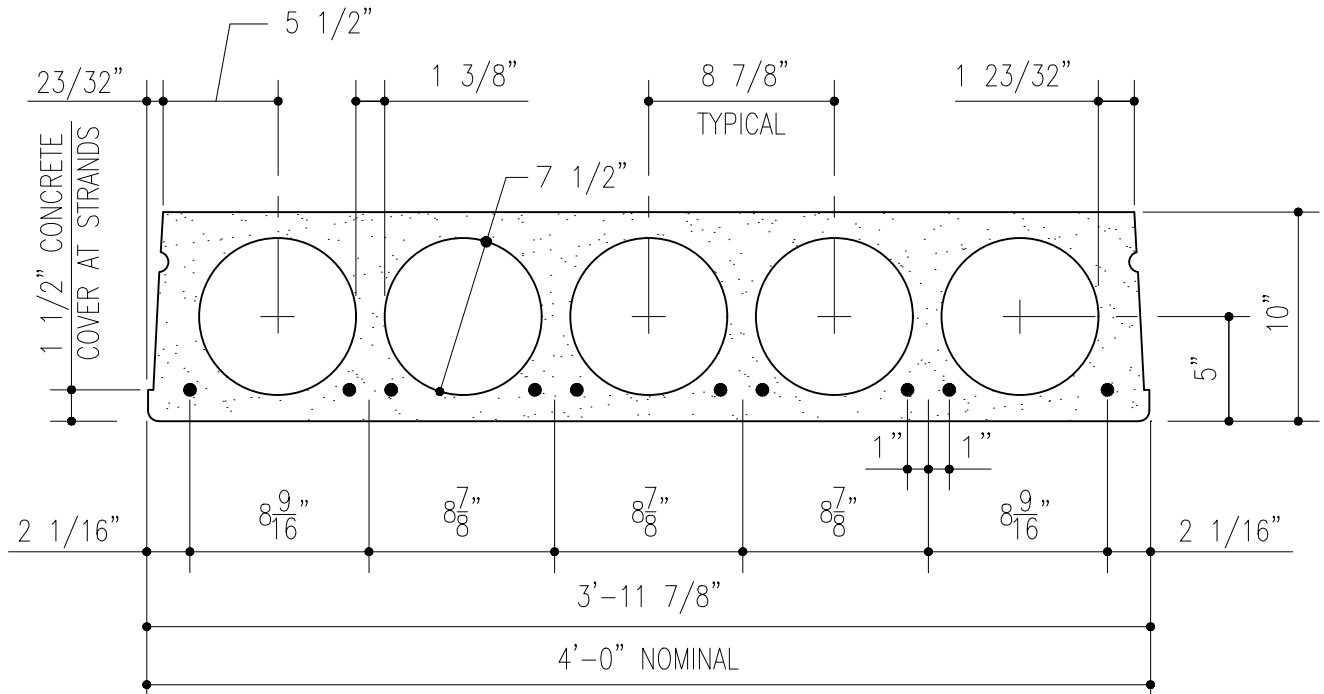




10" CELLA-CORE TECHNICAL DATA SHEET



LOAD TABLE OF ALLOWABLE SUPERIMPOSED LOADS IN LBS. PER SQ.FT.

STANDARD WEIGHT 10" CELLA-CORE PLANK

STRAND	STRAND AREA sq. in.	MU K-ft	CLEAR SPAN IN FEET																					
			20	21	22	23	24	25	26	27	28	29	30	31	32	33	34	35	36	37	38	39	40	41
6-1/2" ϕ	0.918	143	254	238	225	212	201	190	180	168	155	144	133	123	115	107	99	92	86	79	72			
8-1/2" ϕ	1.224	185	270	254	240	227	214	203	193	184	175	167	158	147	137	127	119	111	104	97	91	85	80	75

Values below lower heavy line indicate web shear controls.

Values are terminated before long term camber is less than +3/8" with no superimposed loads.

MATERIAL PROPERTIES

Net Area.....	248 in ²	Strength of Concrete (f 'c).....	6000 psi
Moment of Inertia.....	3262 in ⁴	Strength at Release (f 'ci).....	3500 psi
Centroid from Slab Bottom.....	5.00 in	Unit weight of Concrete.....	150 pcf
Section Modulus, Top.....	652 in ³	Ultimate Steel Strength.....	270 ksi
Section Modulus, Bottom.....	652 in ³	Strand Jacking Stress.....	175.5 ksi
Web Width.....	9.25 in	Strand Type.....	Low Relaxation
V/S Ratio.....	2.28 in	Grout Joint Requirements.....	1399 ft ² /yd ³
Self Weight *.....	69 psf	* Self weights based on grouted section	

These tables are for general design with uniform loading only. Final design by Boccella engineering will depend on local codes and standards, slab openings, non-uniform loads, and project specific requirements.