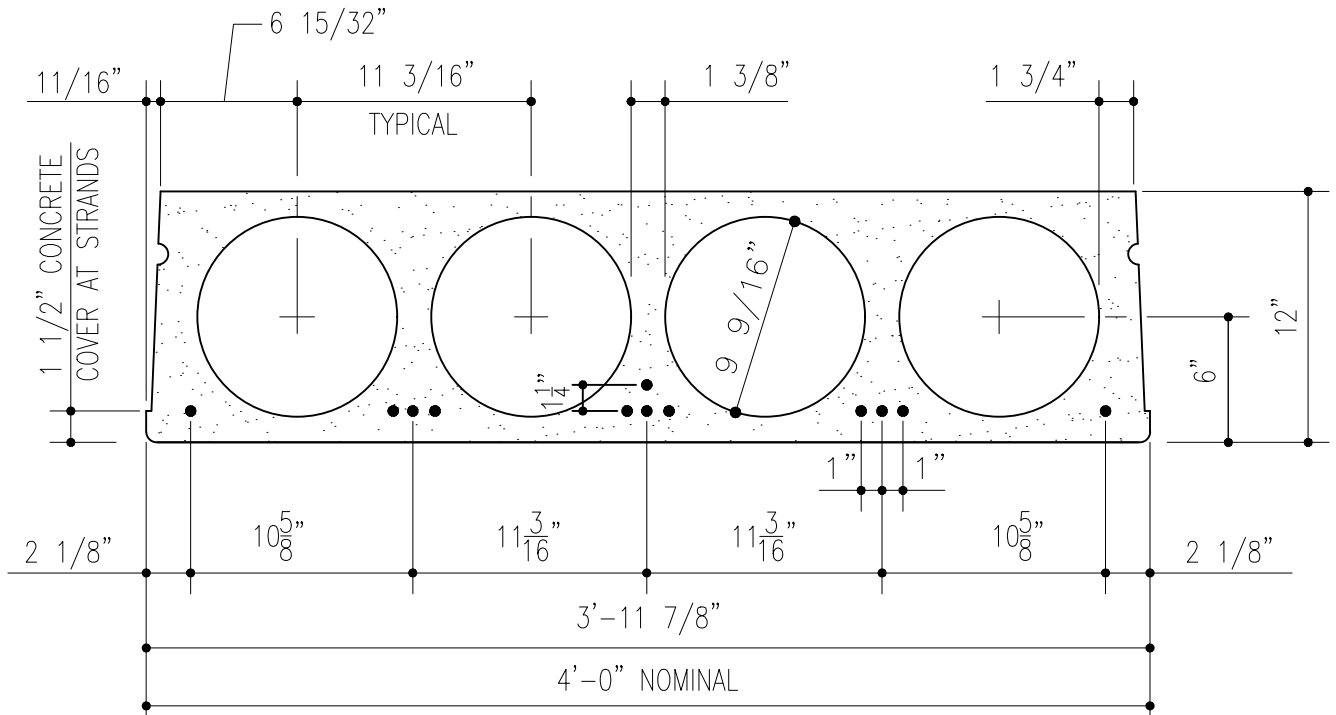




12" CELLA-CORE TECHNICAL DATA SHEET



LOAD TABLE OF ALLOWABLE SUPERIMPOSED LOADS IN LBS. PER SQ.FT.

STANDARD WEIGHT 12" CELLA-CORE PLANK

STRAND	STRAND AREA sq. in.	MU K-ft	CLEAR SPAN IN FEET																								
			22	23	24	25	26	27	28	29	30	31	32	33	34	35	36	37	38	39	40	41	42	43	44	45	46
6-1/2" ϕ	0.918	181	261	247	233	221	210	199	190	181	173	161	149	139	130	121	113	106	99	91	84	77	71				
7-1/2" ϕ	1.071	209	270	255	241	229	217	207	197	188	179	171	164	153	143	133	125	117	110	103	96	90	85	79	75	70	
8-1/2" ϕ	1.224	235	279	263	249	236	225	214	204	194	185	177	170	163	155	145	136	127	120	112	105	99	93	87	82	77	73
9-1/2" ϕ	1.377	262	288	272	257	244	232	221	210	201	192	183	176	168	161	155	146	137	129	121	114	107	101	95	90	84	79

Values below lower heavy line indicate web shear controls.

Values are terminated before long term camber is less than +3/8" with no superimposed loads.

MATERIAL PROPERTIES

Net Area.....	275 in ²	Strength of Concrete (f 'c).....	6000 psi
Moment of Inertia.....	5353 in ⁴	Strength at Release (f 'ci).....	3500 psi
Centroid from Slab Bottom.....	6.00 in	Unit weight of Concrete.....	150 pcf
Section Modulus, Top.....	892 in ³	Ultimate Steel Strength.....	270 ksi
Section Modulus, Bottom.....	892 in ³	Strand Jacking Stress.....	175.5 ksi
Web Width.....	8.50 in	Strand Type.....	Low Relaxation
V/S Ratio.....	2.47 in	Grout Joint Requirements.....	1161 ft ² /yd ³
Self Weight *.....	77 psf	* Self weights based on grouted section	

These tables are for general design with uniform loading only. Final design by Boccella engineering will depend on local codes and standards, slab openings, non-uniform loads, and project specific requirements.