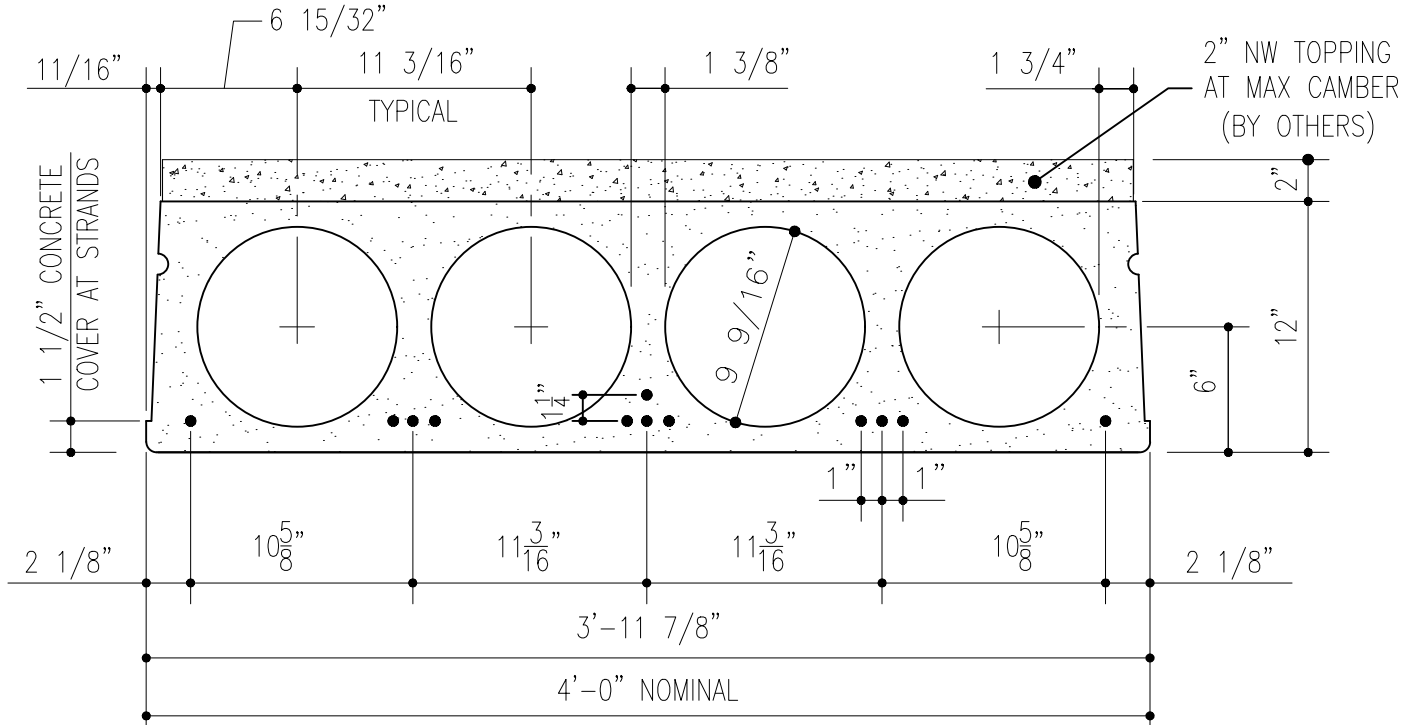




12" +T CELLA-CORE TECHNICAL DATA SHEET



LOAD TABLE OF ALLOWABLE SUPERIMPOSED LOADS IN LBS. PER SQ.FT.

STANDARD WEIGHT 12" CELLA-CORE PLANK + 2" NW CONCRETE COMPOSITE TOPPING

STRAND	STRAND AREA sq. in.	MU K-ft	CLEAR SPAN IN FEET																								
			22	23	24	25	26	27	28	29	30	31	32	33	34	35	36	37	38	39	40	41	42	43	44	45	46
6-1/2" ϕ	0.918	213	296	279	263	249	236	224	213	203	193	179	165	153	142	131	121	112	104	96	89	82					
7-1/2" ϕ	1.071	245	304	287	271	256	243	231	219	209	199	190	181	170	158	146	136	126	117	109	101	94	87	80	75		
8-1/2" ϕ	1.224	275	312	294	278	263	250	237	226	215	205	195	187	178	171	161	149	139	129	121	112	104	97	90	84	78	73
9-1/2" ϕ	1.377	306	320	302	286	270	257	244	232	221	211	201	192	184	176	168	161	151	141	132	123	115	107	100	93	87	81

Values below lower heavy line indicate web shear controls.

Values are terminated before long term camber is less than +0" with no superimposed loads.

MATERIAL PROPERTIES

Net Area.....	345 in ²	Strength of Concrete (f 'c).....	6000 psi
Moment of Inertia.....	8126 in ⁴	Strength at Release (f 'ci).....	3500 psi
Centroid from Slab Bottom.....	7.43 in	Unit weight of Concrete.....	150 pcf
Section Modulus, Top.....	1684 in ³	Ultimate Steel Strength.....	270 ksi
Section Modulus, Bottom.....	1094 in ³	Strand Jacking Stress.....	175.5 ksi
Web Width.....	8.50 in	Strand Type.....	Low Relaxation
V/S Ratio.....	2.47 in	Grout Joint Requirements.....	1161 ft ² /yd ³
Self Weight *.....	77+25 = 102 psf	* Self weights based on grouted section	

These tables are for general design with uniform loading only. Final design by Boccella engineering will depend on local codes and standards, slab openings, non-uniform loads, and project specific requirements.