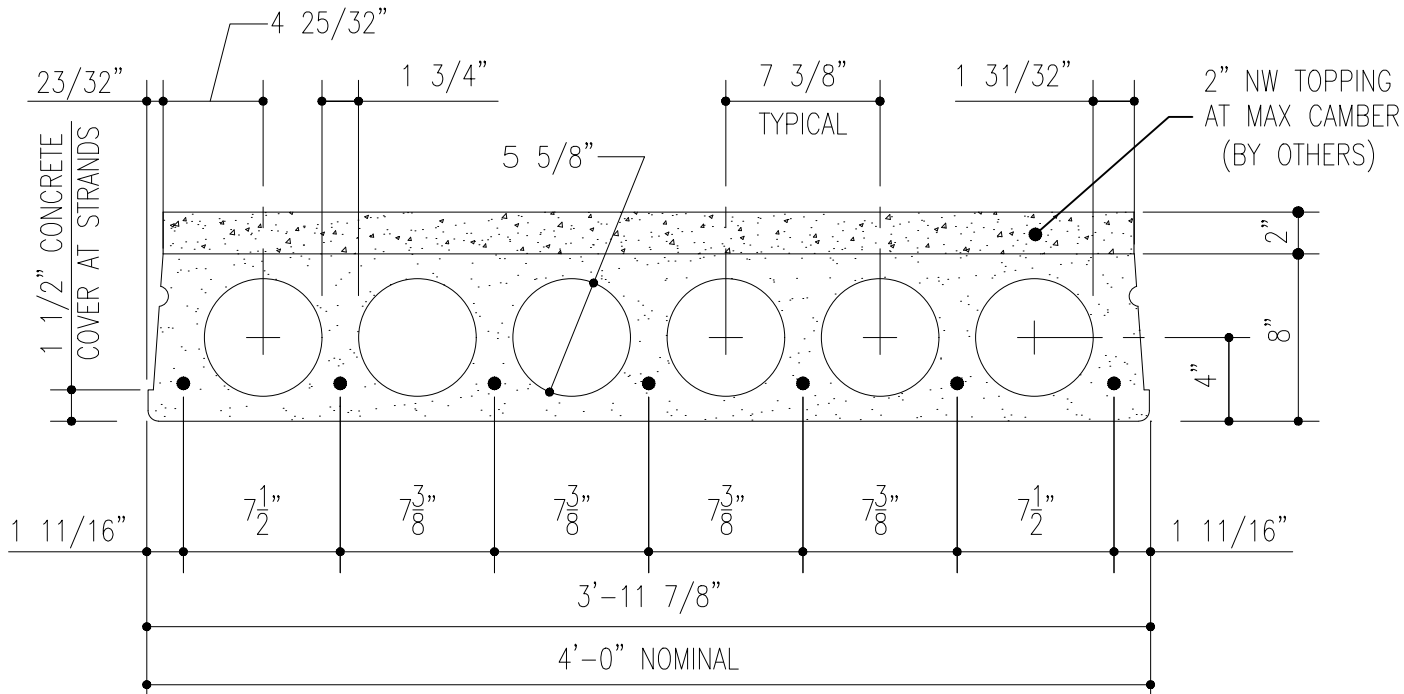




8" +T CELLA-CORE TECHNICAL DATA SHEET



LOAD TABLE OF ALLOWABLE SUPERIMPOSED LOADS IN LBS. PER SQ.FT.

STANDARD WEIGHT 8" CELLA-CORE PLANK + 2" NW CONCRETE COMPOSITE TOPPING

STRAND	STRAND AREA sq. in.	MU K-ft	CLEAR SPAN IN FEET																											
			14	15	16	17	18	19	20	21	22	23	24	25	26	27	28	29	30	31	32	33	34	35						
5-1/2" φ	0.765	117	523	482	445	397	354	317	285	258	234	211	189	169	151	135	119	103	88											
7-1/2" φ	1.071	157	539	493	454	420	391	364	341	309	280	255	233	212	195	179	165	152	135	120	106	93	81	71						

Values below lower heavy line indicate web shear controls.

Values are terminated before long term camber is less than +0" with no superimposed loads.

MATERIAL PROPERTIES

Net Area.....	299 in ²	Strength of Concrete (f 'c).....	6000 psi
Moment of Inertia.....	3165 in ⁴	Strength at Release (f 'ci).....	3500 psi
Centroid from Slab Bottom.....	5.21 in	Unit weight of Concrete.....	150 pcf
Section Modulus, Top.....	875 in ³	Ultimate Steel Strength.....	270 ksi
Section Modulus, Bottom.....	607 in ³	Strand Jacking Stress.....	175.5 ksi
Web Width.....	12.94 in	Strand Type.....	Low Relaxation
V/S Ratio.....	2.13 in	Grout Joint Requirements.....	1707 ft ² /yd ³
Self Weight *.....	62+25 = 87 psf	* Self weights based on grouted section	

These tables are for general design with uniform loading only. Final design by Boccella engineering will depend on local codes and standards, slab openings, non-uniform loads, and project specific requirements.